

DESCRIPTION:

Ready to use pre-fabricated movement joint, comprising a chemical resistant neoprene rubber infill with 304 Stainless Steel reinforced edges.

FEATURES AND BENEFITS:

- Ease of Installation
Available in lengths ready for immediate placement.
- Durable
Protection against damage to joint edges under impact loading and heavy traffic conditions.
- Flexible
Retains flexibility under a wide variety of temperature and chemical exposure.
- Chemical Resistant
Resistant to a wide range of chemicals - Refer Metz Chemical Resistance Chart.
- Non-Staining
Does not cause rust stains as with galvanised steel reinforced edges.
- Quality Accreditation
The management system governing the development and manufacture of this product is proudly ISO9001:2015 certified

RECOMMENDED:

For heavy duty service as a ready-to-use movement joint in ceramic tile and brick floor systems, or in pre-sawn joints in concrete and resin floor systems.

- Food and Beverage Industry
- Pharmaceutical Manufacture
- Chemical Plants
- Roadways
- Commercial Kitchens
- Power Stations
- Industrial and Heavy Engineering Plants
- Heavy Duty Commercial Floors

NOT RECOMMENDED:

- As an expansion joint requiring movements greater than $\pm 10\%$.

DIMENSION:

- 15 mm wide x 25 mm depth (Tolerance ± 1 mm)

TECHNICAL INFORMATION: Neoprene Rubber

(Typical Values)

Shore A Hardness:	70
Tensile Strength:	8.1 MPa
Elongation at Break:	400%

COLOUR:

Black infill, Stainless Steel edges.

INSTRUCTIONS FOR USE

1. Preparation

- Width of joint opening required
Standard 15mm strip 25mm joint required
- Joint opening must extend to substrate.
- Opening must be straight and parallel.
- Any bedding cement or other contamination must be thoroughly removed from sides of opening.
- Using clean rag and solvent or white spirits thoroughly remove any contamination from sides of Metz 20D/SS joint strip.

2. Installation

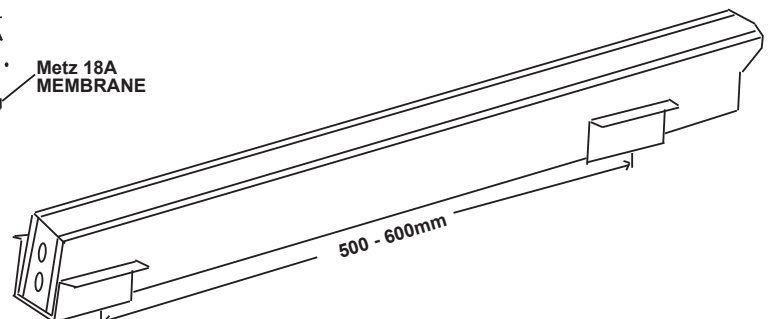
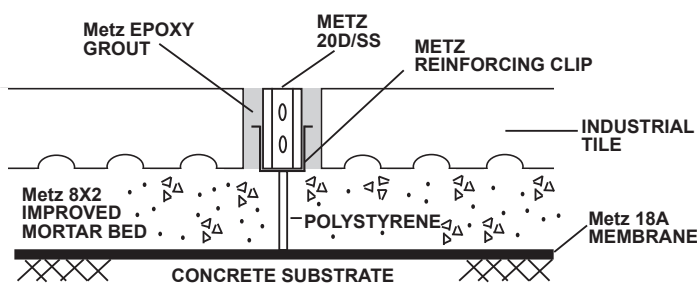
- Tape all floor edges for protection against grout overflow.
- Check that securing clips are fitted to the Metz 20D/SS strip at 500mm-600mm intervals.
- To support Metz 20D/SS, place a compressible bitumen impregnated foam strip 25mm x 25mm in the joint. If necessary, this strip may be of greater depth or be supported by another compressible strip such as polystyrene etc to maintain correct joint depth.
- Press the Metz 20D/SS strip into the opening and weigh down so that it is flush with the floor surface.
- Adjust top edge of joint so that it is level with floor surface for the full length of the strip.
- Using tapered wedges, centre joint within opening.
- Join Metz 20D/SS together end to end and at corners etc. with Metz 20B.
- Apply grout to secure.

3. Grouting

- Use Metz 19 or Metz 6M epoxy compound depending on conditions - refer to relevant data sheets. Use Metz 6M if fast set and/or bonding to damp surfaces is required. Metz 5NF can be used for increased chemical resistance if required - refer Metz Chemical Resistance Chart.
- Ensure joint is thoroughly clean. Note surface preparation required on Metz 19 or Metz 6M data sheets.
- Mix Metz 19 or Metz 6M as per data sheet, however, reduce powder content by 20% to produce a more liquid mixture.
- Gently trowel mixed grouting material down sides of joint adjacent to the securing clips to secure the Metz 20D/SS strip. Ensure that all air pockets are removed.
- Slightly overfill and strike off level with top of joint.
- When epoxy has set, remove the tapered wedges and complete the grouting.
- Remove tape before material hardens

4. Ready for Service

Consult data sheets for Metz 19 or 6M for relevant setting times.



Always ensure you have the latest data sheet version, refer www.metz.net.au

- The customer must comply strictly with the instructions contained in this product data sheet. Metz is not responsible for any advice or variations to this data sheet which are not confirmed in writing.
- If the customer has a claim against Metz in respect of any product supplied to the customer by Metz whether due to a fault in the product or the negligence or breach of contract by Metz or for any other reason:
 - Metz shall not be liable for any loss or damage including consequential loss or damage or loss of profits arising thereby;
 - Metz may at its option replace the defective product free of charge to the customer or refund all payments made to it by the buyer in respect of the defective product; and the maximum liability of Metz shall be the cost of replacing the defective product.